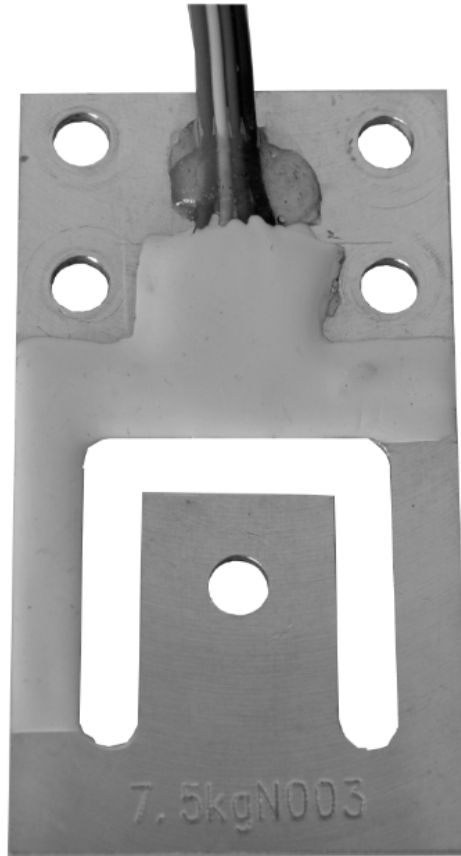


Type L6P1 Miniature Sensor



Short Description



- Low profile
- Anodized aluminum alloy
- IP65 sealed



test certificate no. TC8408 Revision 0
C of C no. R60/2000-NL1-13.23 Revision 1

Available models

Capacity	Accuracy	Full article description
7.5 kg	C3	L6P1-C3-7.5kg-1P

Specifications and dimensions are subject to change without notice and do not constitute any liability whatsoever.

Zemic Europe B.V.
Leerlooierstraat 8

Nr. 2013.11 L6P Rev2

T: +31 76 50 39480
F: +31 76 50 39481

4871 EN Etten-Leur
The Netherlands

Type L6P1 Miniature Sensor

Detailed specifications L6P

Accuracy class		OIML R60 C3
Output sensitivity (= FS)	mV/V	1.0 ± 0.1
Maximum capacity (E _{max})	kg	7.5
Max.number of load cell intervals	n _{LC}	3000
Ratio of min. LC verification interval	$Y = E_{max} / v_{min}$	7500
Combined Error	%FS	≤± 0.023
Minimum dead load	Of E _{max}	0%
Safe overload	of E _{max}	150 %
Ultimate overload	of E _{max}	300 %
Zero balance	of FS	< ± 5.0 %
Excitation, recommended voltage	V	5 ~ 15
Excitation maximum	V	18
Input resistance	Ω	1080 ± 50
Output resistance	Ω	1000 ± 10
Insulation resistance	MΩ	≥5000 (at 50VDC)
Compensated temperature	°C	-10 ~+40
Operating temperature	°C	-20 ~ +50
Storage temperature	°C	-20 ~ +60
Element material		Aluminum
Ingress Protection (acc. to EN 60529)		IP65
Recommended torque on fixation	Nm	M4: 3
ATEX classification (optional)		None

Wiring

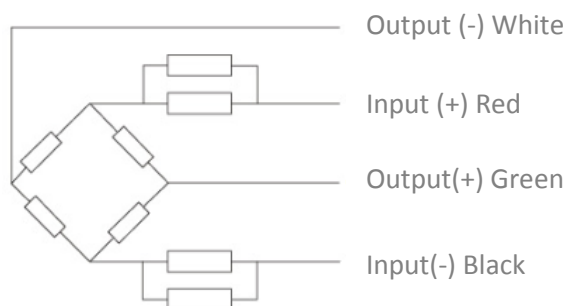
Wiring:

Adopt a 4 wire flat ribbon cable.

Cable length 1.0m

Dimensions and specifications can be changed without notice.

4-wire diagram



Specifications and dimensions are subject to change without notice and do not constitute any liability whatsoever.

Zemic Europe B.V.
Leerlooierstraat 8

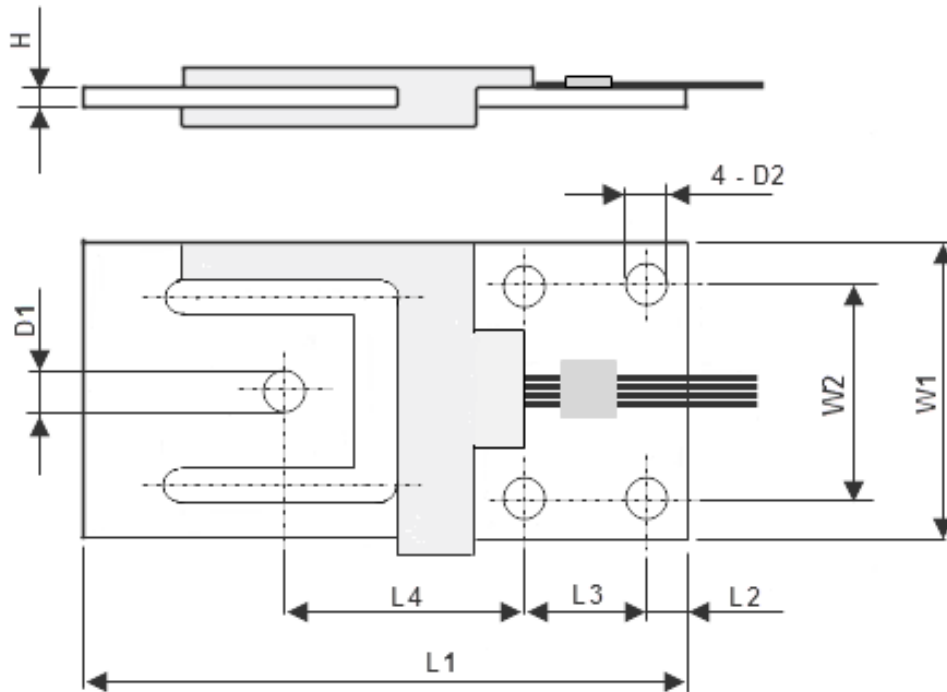
Nr. 2013.11 L6P Rev2

T: +31 76 50 39480
F: +31 76 50 39481

4871 EN Etten-Leur
The Netherlands

Type L6P1 Miniature Sensor

Dimensions in mm



Dimension Capacity	L1	L2	L3	L4	W1	W2	H	D1	D2
7.5kg	70	4.9	14	28	39	27.8	2	5.1	5.1

Specifications and dimensions are subject to change without notice and do not constitute any liability whatsoever.

Zemic Europe B.V.
Leerlooiërstraat 8

Nr. 2013.11 L6P Rev2

T: +31 76 50 39480
F: +31 76 50 39481

4871 EN Etten-Leur
The Netherlands